



2.4G Keyboard and 2.4G Mouse Combo

IC-GK08

User Manual

Package Contents

- 1 x 2.4G Keyboard
- 1 x 2.4G Mouse
- 1 x USB-C Charging Cable
- 1 x USB Receiver (**stored at the bottom of the mouse**)
- 1 x Silicone Keyboard Cover
- 1 x User Manual

Specification of Keyboard

Dimensions	438,5 x 129 x 18,61mm / 17,26 x 5,08 x 0,73 in
Operating Range	< 10 m / 32,8 ft
Charge Time	< 2 hours
Power	90 hours / USB-C charge
Lithium Battery Capacity	280 mAh
Key Life	3 million clicks
Layout Compatibility	Windows/Mac

*Frequency band: 2402MHz-2480MHz
 *Maximum transmission power: 0 dBm

Specification of Mouse

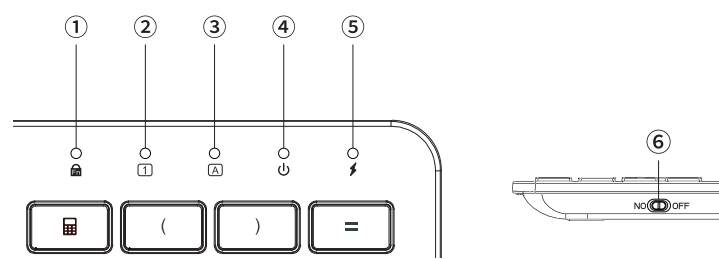
Dimensions	107,5 x 60 x 27,5 mm / 4,23 x 2,36 x 1,08 in
Operating Range	< 10 m / 32,8 ft
Charge Time	< 2 hours
Power	40 hours / USB-C charge
Lithium Battery Capacity	300 mAh
DPI	800-1200-1600

*Frequency band: 2405MHz-2470MHz
 *Maximum transmission power: 0 dBm

-1-

Product Overview

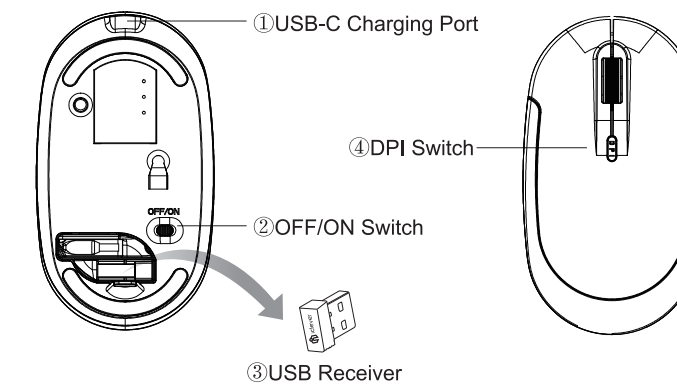
Keyboard:



- Fn Lock Indicator:** press key to turn on/off the Fn lock function. When the indicator is on, F1-F12 keys work as media keys, such as mute, volume up, play/pause, and so on.
- Numeric Indicator:** press "numlk" key to turn on/off the number lock function (not work for Mac). When the indicator is on, the numeric keypad works as numbers.
- Caps Lock Indicator:** press "caps lock" key to turn on/off the caps lock function. When the indicator is on, works as uppercase.
- Power Indicator:**
 - the indicator will be on for 3s when power on the keyboard.
 - press "Fn" + "F6" keys to check the battery. Each flash represents 25% battery, 4 flashes in total.
- Charging Indicator:**
 - stay in red when charging.
- Power Switch:** slide ON/OFF to turn on/off the keyboard.

-2-

Mouse:



- USB-C Charging Port:** for charging.
- OFF/ON Switch:** slide OFF/ON to turn off/on the mouse.
- USB Receiver:** remove the cover to get USB receiver.
- DPI Switch:** 3 adjustable dpi (800,1200, 1600) are available. Press DPI Switch to change the mouse sensitivity.

Sleep Mode

The keyboard and mouse will enter sleep mode for power saving if idle for 10 minutes. Press any key to exit sleep mode and wait for 3s.

-3-

Pairing Instructions

For Windows users:

- Charge the keyboard for 2 hours.
- Remove the USB Receiver (both works for keyboard and mouse) from the bottom of the mouse.
- Move the mouse OFF/ON Switch to "ON" to power on.
- Plug the USB Receiver into the computer.
- Move the keyboard power switch to "ON" to power on.
- Press "Fn" + "W" to switch to Windows layout (Windows PC/laptop).

For Mac OS users:

- Charge the keyboard for 2 hours.
- Remove the USB Receiver from the bottom of the mouse.
- Move the mouse OFF/ON Switch to "ON" to power on.
- Plug the USB Receiver into the USB-A port of the computer or a hub.
- NOTE: if your Mac is USB-C port, please connect it by a hub.**
- Move the keyboard power switch to "ON" to power on.
- Press "Fn" + "Q" to switch to Mac layout (MacBook/iMac).
- NOTE: if you restart the keyboard, the keyboard would be back to Windows Layout.**

Device Requirements

Windows 7,8,10 or late
 macOS 10.13 or late with USB-A port

Note:

- It is not fully compatible with Mac mini, smart TV and XBOX.**
- If your MacBook is USB-C port, please connect it by a hub, extender or something similar.**

-4-

Keys and Functions

Please choose the right system by pressing "Fn" + "Q" or "Fn" + "W" keys.
 ("Fn" + "Q" is for Mac OS, and "Fn" + "W" is for Windows)

Key Icon	Windows	Fn on Windows	Mac OS	Fn on Mac OS
	Press F1-F12 directly	Press Fn+F1-F12	Press F1-F12 directly	Press Fn+F1-F12
	F1	Brightness - (Win10)	F1	Brightness -
	F2	Brightness + (Win10)	F2	Brightness +
	F3	Web browser	F3	Mission control
	F4	Switch Apps	F4	Switch apps
	F5	Search	F5	Search
	F6	Power Display	F6	Power Display
	F7	Previous track	F7	Previous track
	F8	Play/pause	F8	Play/pause
	F9	Next track	F9	Next track
	F10	Mute	F10	Mute
	F11	Volume -	F11	Volume -
	F12	Volume +	F12	Volume +

-5-

Special Keys	Descriptions
	Your keyboard has by default direct access to F-keys (F1-F12). If you prefer to have direct access to media and hotkeys such as mute, volume up, play/pause, and so on, simply press this key to swap them.
	Press "Fn" + "Q", the keyboard layout will be switched to Mac OS.
	Press "Fn" + "W", the keyboard layout will be switched to Windows.
	This key will work as "win" when your system is Windows; this key will work as "option" when your system is Mac OS.
	This key will work as "alt" when your system is Windows; this key will work as "command" when your system is Mac OS.
	This key will work as "number lock" when your system is Windows; this key will work as "clear" when your system is Mac OS.
	This key will work as menu function that is similar to right click of the mouse when your system is Windows. Note: this function is not working for Mac OS.
	This key will work as calculator when your system is Windows. Note: this function is not working for Mac OS.

-6-

FAQ

Q. Is this keyboard fully compatible with MacBook and iMac?

No, it is not fully compatible. These keys are not working for MacBook and iMac.

If your device is MacBook with USB-C port, the USB receiver will not be able to connect, please connect the USB receiver by a hub, extender, or something similar.

Q. Stop working, delay when typing, keys work incorrectly.

- Restart your PC/laptop and iClever keyboard.
- Verify the product or receiver is connected directly to the computer and not to a hub, extender, switch, or something similar.
- Move the device closer to the USB receiver. If your receiver is in the back of your computer, it may help to relocate the receiver to a front port. In some cases the receiver signal gets blocked by the computer case, causing a delay.
- Keep other electrical wireless devices away at least 8 inches from the USB receiver to avoid interference, such as Wireless speakers, Computer power supplies, Monitors, and so on.
- Charge for 2 hours.
- Check your computer memory, insufficient memory may cause the lag.
- Check if there are any updates running in the background that may cause the delay.
- Try on a different APP / USB port / computer.

Q. Miss the USB Receiver.

- The USB Receiver is located at the bottom of the mouse storage Slot. Please open the cover to get the USB Receiver.
- Only one USB Receiver is included and both works for the keyboard and mouse.

-7-

Q. How to fix keyboard typing multiple letters on Windows 10?

Turn on the Filter Keys:
 Click win key > Settings > Ease of Access > Keyboard > find "Use Filter Keys", turn it on.

Q. How to fix keyboard typing multiple letters on Mac?

- On a Mac, choose the Apple menu > "System Preferences", click "Keyboard", and choose the Keyboard tab.
- Locate the "Key Repeat" slider setting and adjust it to the "Off" position.

Q. Cursor does not follow mouse movements.

- Use a mouse pad.
- Avoid using your mouse on: Glass and other see-through surfaces, Reflective surfaces, such as mirrors and metal desks, and Wood grains and grooved surfaces.
- Try the mouse on a piece of white paper to make sure it isn't a tracking issue on the particular surface you're using.

Charge the Device

If prduct stop working: please connect to the computer port to charge the keyboard/mouse through supplied charging cable.

Note: Output: DC 5V/200mA; **USB Charger** is not included.

Tips

- Keep away from sharp objects.
- Keep away from metal and other sources of wireless signal.
- Keep away from oil, chemical, or other organic solvents.
- Keep away from snacks and avoid entering the keyboard.
- Do not stack by heavy objects.
- Do not bump or bend the keyboard.
- Power off the keyboard and mouse if not in use.

-8-

FCC Statement

Changes or modifications not expressly approved by the party responsible for compliance could void the user's authority to operate the equipment.

This equipment has been tested and found to comply with the limits for a Class B digital device, pursuant to Part 15 of the FCC Rules. These limits are designed to provide reasonable protection against harmful interference in a residential installation. This equipment generates, uses and can radiate radio frequency energy and, if not installed and used in accordance with the instructions, may cause harmful interference to radio communications. However, there is no guarantee that interference will not occur in a particular installation. If this equipment does cause harmful interference to radio or television reception, which can be determined by turning the equipment off and on, the user is encouraged to try to correct the interference by one or more of the following measures:

- Reorient or relocate the receiving antenna.
- Increase the separation between the equipment and receiver.
- Connect the equipment into an outlet on a circuit different from that to which the receiver is connected.
- Consult the dealer or an experienced radio/TV technician for help.

This device complies with Part 15 of the FCC Rules. Operation is subject to the following two conditions: (1) this device may not cause harmful interference, and (2) this device must accept any interference received, including interference that may cause undesired operation.

Contact

The product comes with a 12-month warranty, if you have any questions, please feel free to contact us by support@iclever.com.

-9-



Combo clavier 2.4G et souris 2.4G

IC-GK08

Manuel d'utilisation FR

-10-

Guidage de l'utilisateur

- Chargez le clavier pendant 2 heures.
- Retirez le récepteur USB du bas de la souris.
- Déplacez l'interrupteur OFF/ON de la souris sur "ON" pour allumer.
- Branchez le récepteur USB sur l'ordinateur.
- Déplacez l'interrupteur d'alimentation du clavier sur "ON" pour allumer.
- Appuyez sur "Fn" + "W" / "Q" pour choisir le bon système.

IC Caution

This device complies with Industry Canada licence-exempt RSS standard(s). Operation is subject to the following two conditions: (1) This device may not cause interference, and (2) This device must accept any interference, including interference that may cause undesired operation of the device.

Le présent appareil est conforme aux CNR d'Industrie Canada applicables aux appareils radio exempts de licence. L'exploitation est autorisée aux deux conditions suivantes: (1) l'appareil ne doit pas produire de brouillage, et (2) l'utilisateur de l'appareil doit accepter tout brouillage radioélectrique subi, même si le brouillage est susceptible d'en compromettre le fonctionnement.

Souris
 *Bande de fréquence : 2402MHz-2480MHz
 *Puissance d'émission maximale : 0 dBm
 Clavier
 *Bande de fréquence : 2405MHz-2470MHz
 *Puissance d'émission maximale : 0 dBm

-11-